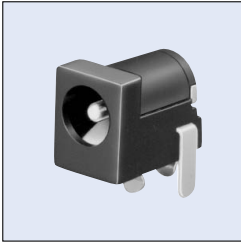
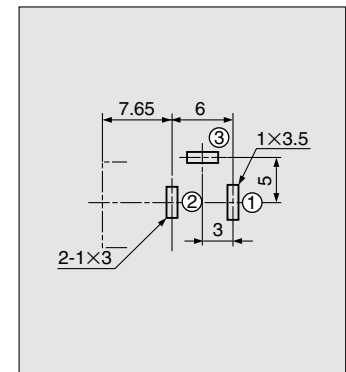
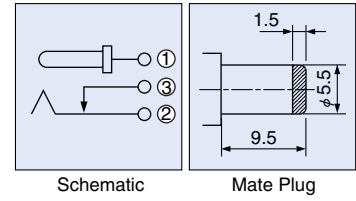
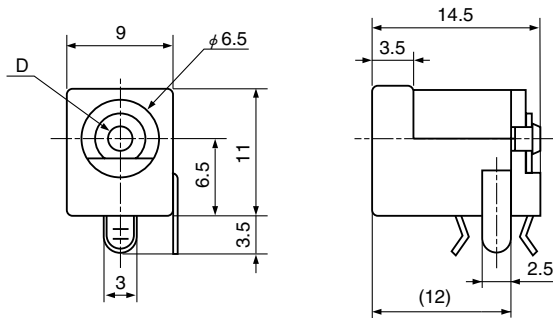


HEC0470-01-630
Type A Horizontal Type

h=6.5



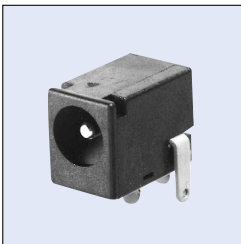
Rating: 3 A 16 V DC


**HOLE LAYOUT
(BOTTOM VIEW)**

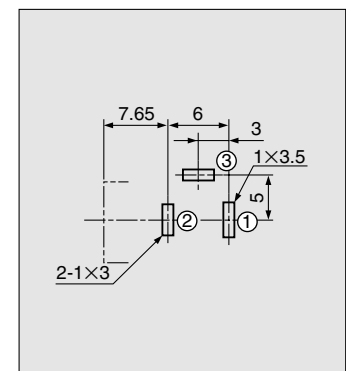
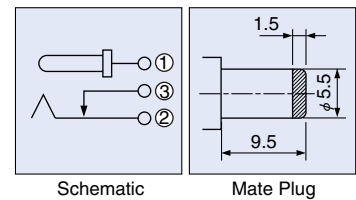
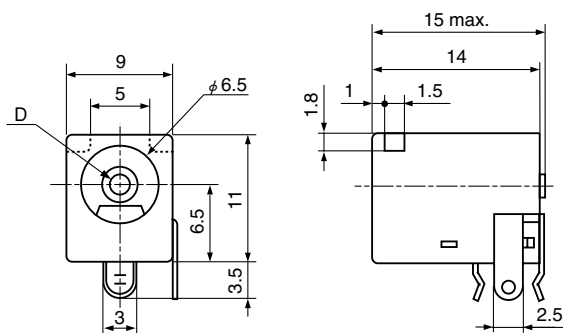
Dimension D	Model No.
φ2	HEC0470-01-630
φ2.35	HEC0470-01-640

HEC2305-016250
Type A Horizontal Type

h=6.5



Rating: 3 A 16 V DC


**HOLE LAYOUT
(BOTTOM VIEW)**

Dimension D	Model No.
φ2	HEC2305-016250
φ2.35	HEC2305-016260