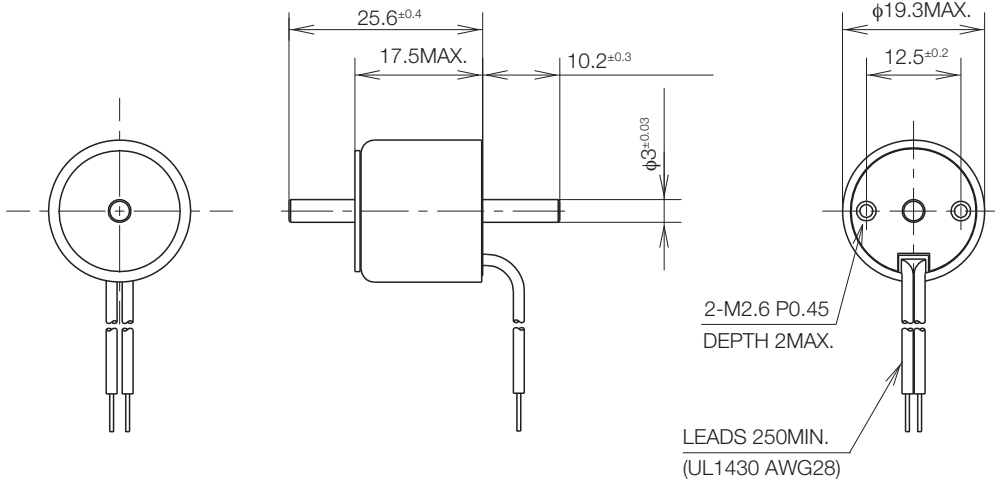
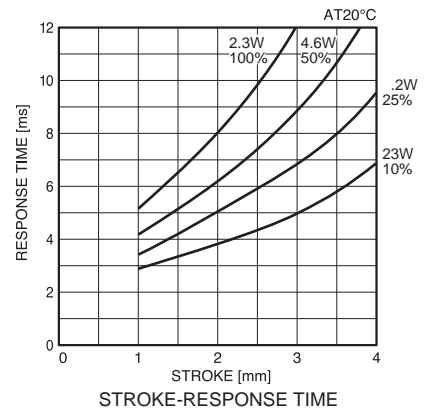
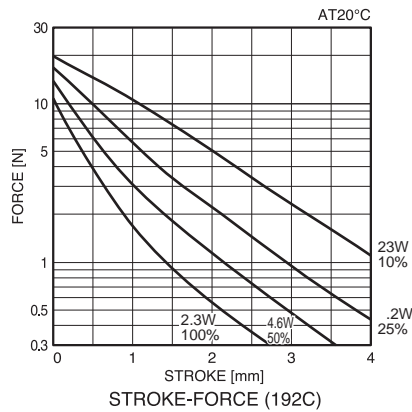


SIZE 192C SMALL PUSH PULL SOLENOID

UNIT : mm
SHOWN ENERGIZED



WEIGHT : 27g
PLUNGER: 4.5g



COIL DATA

	without heat sink					
	duty cycle = $\frac{\text{"on" time}}{\text{"on" time} + \text{"off" time}} \times 100\%$	100% continuous	50% or less	25% or less	10% or less	
	MAX. "on" time in seconds	∞	100	36	7	
	watts at 20°C	2.3	4.6	9.2	23	
ampere-turns at 20°C	265	374	530	838		
type no.	resistance $\Omega \pm 10\%$ (at 20°C)	no. turns	volts DC			
M192C-3V F192C-3V	4.3	380	3	4.2	6	9.5
M192C-6V F192C-6V	16	735	6	8.5	12	19
M192C-12V F192C-12V	68	1500	12	17	24	38
M192C-24V F192C-24V	242	2770	24	34	48	76