

# Thick film rectangular

## MCR03 (1608 size)

### ●Features

- 1) Power rating of 1 / 10W (FX class: 1 / 16W)
- 2) Highly reliable chip resistor  
Ruthenium oxide resistive material offers superior resistance to the elements.
- 3) Electrodes not corroded by soldering  
Thick film makes the electrodes very strong.
- 4) Resin protective coating for FX resistors

Absorbs impact, facilitates mounting.

- 5) ROHM resistors have approved ISO-9001 certification.

Design and specifications are subject to change without notice. Carefully check the specification sheet supplied with the product before using or ordering it.

### ●Ratings

Item	Conditions	Specifications	
Rated power	Power must be derated according to the power derating curve in Figure 1 when ambient temperature exceeds 70°C.	J, F	0.100W (1 / 10W)
		FX	0.063W (1 / 16W)
		at 70°C	
	<p>Fig.1</p>		
Rated voltage	The voltage rating is calculated by the following equation. If the value obtained exceeds the maximum operating voltage, the voltage rating is equal to the maximum operating voltage. $E = \sqrt{P \times R}$ E: Rated voltage (V) P: Rated power (W) R: Nominal resistance ( $\Omega$ )	Max. operating voltage	50V
		Max. overload voltage	100V
		Max. intermittent overload voltage	100V
Nominal resistance	See Table 1.		
Operating temperature		J, F	-55°C to +155°C
		FX	-55°C to +125°C

### Jumper type

Resistance	Max. 50m $\Omega$
Rated current	1A
Peak current	3A
Operating temperature	-55°C to +155°C

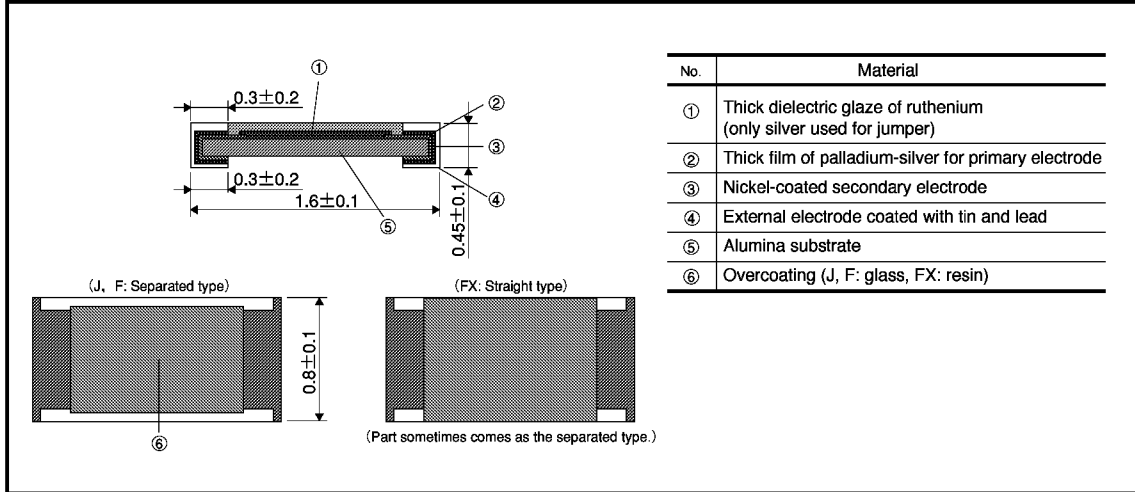
Table 1

Resistance tolerance	Resistance range ( $\Omega$ )	Resistance temperature coefficient (ppm / °C)
FX ( $\pm 1\%$ ) (EZP type)	$10 \leq R \leq 2.2M$ (E24,96)	$\pm 100$
F ( $\pm 1\%$ )	$10 \leq R \leq 2.2M$ (E24,96)	$\pm 200$
	$1.0 \leq R < 2.2$ (E24)	$500 \pm 350$
J ( $\pm 5\%$ )	$2.2 \leq R < 10$ (E24)	$\pm 500$
	$10 \leq R \leq 10M$ (E24)	$\pm 200$

●JW class components are for sale in the American market. With regard to the same resistance ranges for sale in other markets, the components have a guaranteed resistance temperature coefficient of  $\pm 200$ ppm / °C (W).

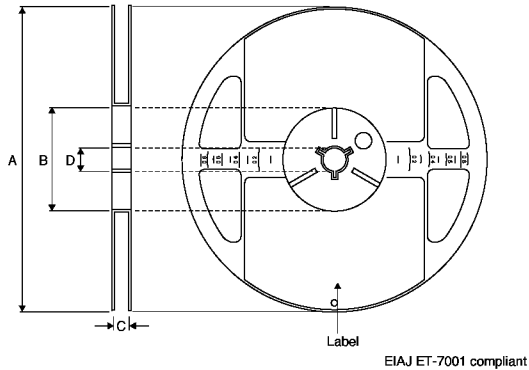
●Before using components in circuits where they will be exposed to transients such as pulse loads (short-duration, high-level loads), be certain to evaluate the component in the mounted state. In addition, the reliability and performance of this component cannot be guaranteed if it is used with a steady state voltage that is greater than its rated voltage.

● External dimensions (Units: mm)



● Packaging

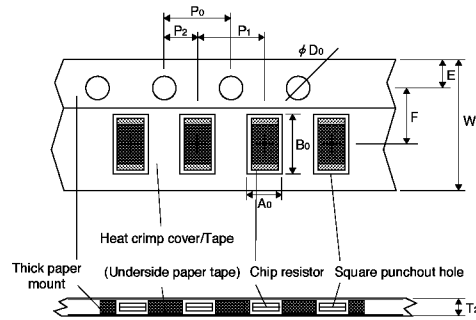
Reel



(Units : mm)

A	B	C	D
$\phi 180 \begin{smallmatrix} 0 \\ -3 \end{smallmatrix}$	$\phi 60 \begin{smallmatrix} +1 \\ 0 \end{smallmatrix}$	9±0.3	$\phi 13 \pm 0.2$
$\phi 268 \pm 1.5$	$\phi 100 \pm 0.8$	9.4±0.5	$\phi 13 \pm 0.3$
$\phi 330 \pm 2$	Min. $\phi 80$	9.5±0.5	$\phi 13 \pm 0.2$

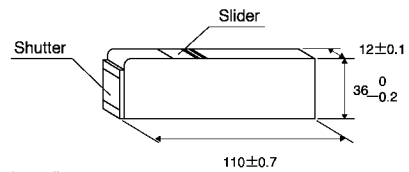
Taping



(Units : mm)

W	F	E	A <sub>0</sub>	B <sub>0</sub>
8.0±0.3	3.5±0.05	1.75±0.1	1.1±0.1	1.9±0.1
D <sub>0</sub>	P <sub>0</sub>	P <sub>1</sub>	P <sub>2</sub>	T <sub>2</sub>
$\phi 1.5 \begin{smallmatrix} +0.1 \\ 0 \end{smallmatrix}$	4.0±0.1	4.0±0.1	2.0±0.05	Max. 1.1

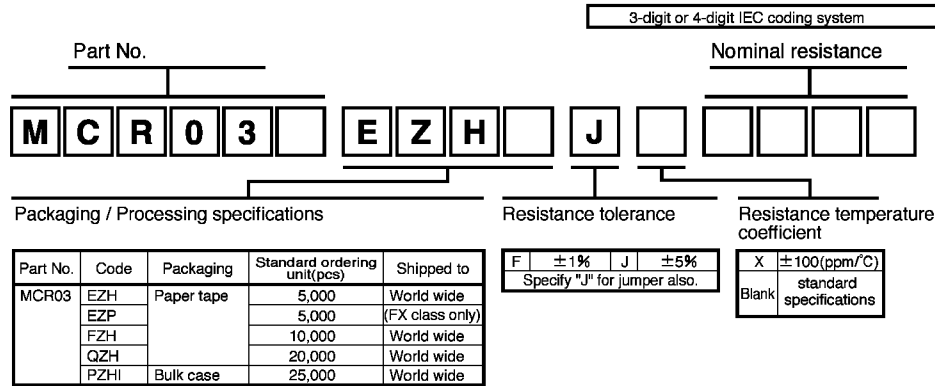
Bulk case



EIAJ ET-7201A compliant

(Units : mm)

● Makeup of the part number



● Dimensions

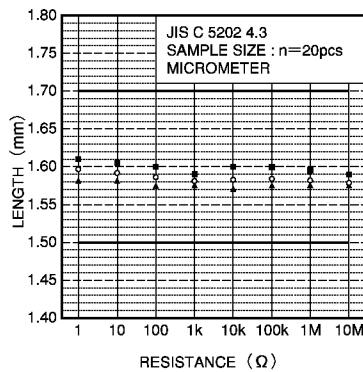


Fig.2 Dimensions (length)

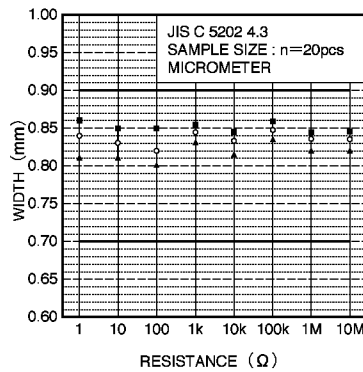


Fig.3 Dimensions (width)

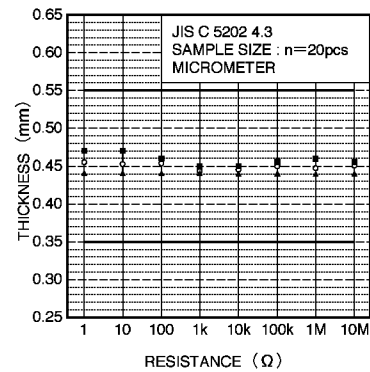


Fig.4 Dimensions (thickness)

● Electrical characteristics

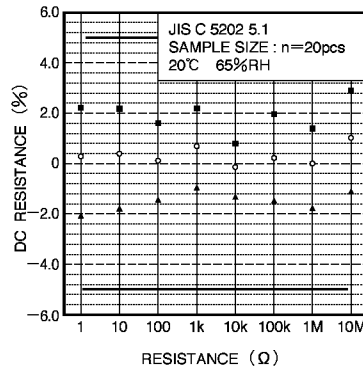


Fig.5 DC resistance

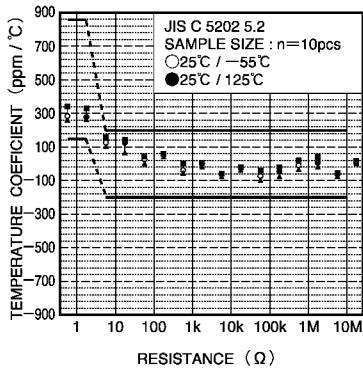


Fig.6 Resistance temperature characteristics

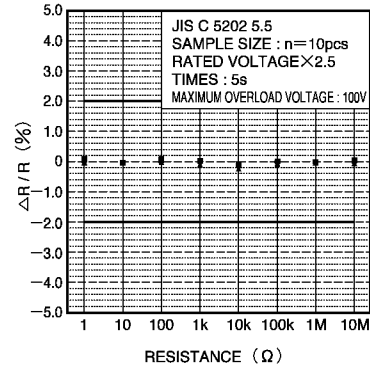


Fig.7 Short time overload