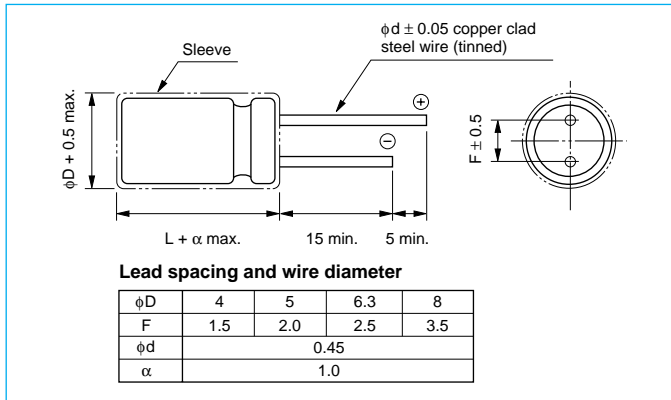


RC2 Miniature Aluminum Electrolytic Capacitors

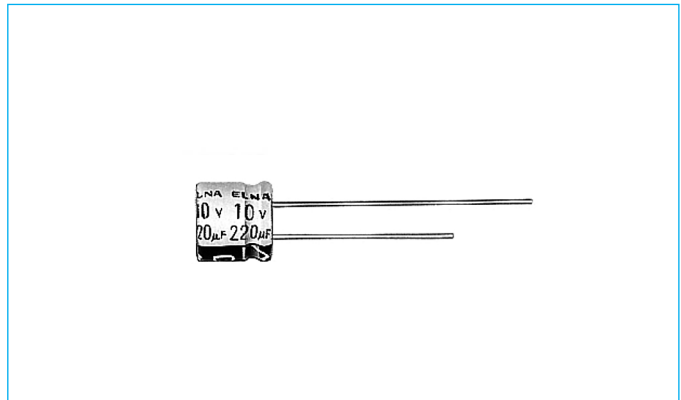
Series RC2 Microminiature Capacitors (7 mm in height)

- Conventional RC2 is further reduced in size, diameter 4 to 8 mm.
- 85°C, 1000 hours guaranteed.

Outline Drawing



Photo



Unit: mm

Specifications

No.	Item	Performance																															
1	Temperature range (°C)	-40 to +85																															
2	Leakage current (µA)	Less than 0.01 CV or 3 whichever is larger (after two minutes), C: Capacitance (µF), V: Voltage (V)																															
3	Capacitance tolerance (%)	±20 (20°C, 120 Hz)																															
4	Tangent of loss angle (tan δ)	<table border="1"> <tr> <td>Rated voltage (V)</td> <td>4</td> <td>6.3</td> <td>10</td> <td>16</td> <td>25</td> <td>35</td> <td>50</td> <td>63</td> <td>100</td> <td rowspan="2">(20°C, 120 Hz)</td> </tr> <tr> <td>tan δ</td> <td>0.35</td> <td>0.24</td> <td>0.20</td> <td>0.16</td> <td>0.14</td> <td>0.12</td> <td>0.10</td> <td>0.08</td> <td>0.08</td> </tr> </table>	Rated voltage (V)	4	6.3	10	16	25	35	50	63	100	(20°C, 120 Hz)	tan δ	0.35	0.24	0.20	0.16	0.14	0.12	0.10	0.08	0.08										
Rated voltage (V)	4	6.3	10	16	25	35	50	63	100	(20°C, 120 Hz)																							
tan δ	0.35	0.24	0.20	0.16	0.14	0.12	0.10	0.08	0.08																								
5	Stability at low temperature	<table border="1"> <tr> <td>Rated voltage (V)</td> <td>4</td> <td>6.3</td> <td>10</td> <td>16</td> <td>25</td> <td>35</td> <td>50</td> <td>63</td> <td>100</td> <td rowspan="3">(120 Hz)</td> </tr> <tr> <td>Impedance</td> <td>Z-25°C/Z+20°C</td> <td>6</td> <td>4</td> <td>3</td> <td colspan="5">2</td> </tr> <tr> <td>ratio</td> <td>Z-40°C/Z+20°C</td> <td>16</td> <td>10</td> <td>8</td> <td>6</td> <td colspan="4">4</td> </tr> </table>	Rated voltage (V)	4	6.3	10	16	25	35	50	63	100	(120 Hz)	Impedance	Z-25°C/Z+20°C	6	4	3	2					ratio	Z-40°C/Z+20°C	16	10	8	6	4			
Rated voltage (V)	4	6.3	10	16	25	35	50	63	100	(120 Hz)																							
Impedance	Z-25°C/Z+20°C	6	4	3	2																												
ratio	Z-40°C/Z+20°C	16	10	8	6	4																											
6	Endurance (85°C) (Applied ripple current)	<table border="1"> <tr> <td>Test time</td> <td>1000 hrs</td> </tr> <tr> <td>Leakage current</td> <td>Initial specified value or less</td> </tr> <tr> <td>Change in capacitance</td> <td>Within ±20% of initial value</td> </tr> <tr> <td>tan δ</td> <td>200% or less of initial specified value</td> </tr> </table>	Test time	1000 hrs	Leakage current	Initial specified value or less	Change in capacitance	Within ±20% of initial value	tan δ	200% or less of initial specified value																							
Test time	1000 hrs																																
Leakage current	Initial specified value or less																																
Change in capacitance	Within ±20% of initial value																																
tan δ	200% or less of initial specified value																																
7	Max. storage temp. (85°C)	Test time 500 hrs. Others have same as endurance in No. 6, Voltage application treatment.																															
8	Applicable Standards	JIS C 5101-1, 5101-4 1998 (IEC 60384-1 1992, 60384-4 1985)																															

Coefficients of Frequency for Ripple Current

Frequency (Hz)	50 • 60	120	1 k	10 k • 100 k
Rated Voltage (V)				
4 to 16	0.8	1	1.1	1.2
25 to 35	0.8	1	1.5	1.7
50 to 100	0.8	1	1.6	1.9

Coefficients of Temperature for Ripple Current

Temperature (°C)	+70 or less	+85
Coefficients	1.35	1

RC2 Miniature Aluminum Electrolytic Capacitors

Case size by working voltage & capacitance (in mm)

(mm)

WV(V) Cap.(μF)	4	6.3	10	16	25	35	50	63	100
0.1							4 x 7	4 x 7	
0.22							4 x 7	4 x 7	
0.33							4 x 7	4 x 7	
0.47							4 x 7	4 x 7	
1							4 x 7	4 x 7	4 x 7
2.2							4 x 7	4 x 7	5 x 7
3.3					4 x 7	4 x 7	4 x 7	4 x 7	6.3 x 7
4.7					4 x 7	4 x 7	4 x 7	5 x 7	6.3 x 7
10				4 x 7	4 x 7	4 x 7	5 x 7	6.3 x 7	
22		4 x 7	4 x 7	4 x 7	5 x 7	5 x 7	6.3 x 7		
33	4 x 7	4 x 7	4 x 7	5 x 7	6.3 x 7	6.3 x 7	8 x 7		
47	4 x 7	4 x 7	5 x 7	5 x 7	6.3 x 7	8 x 7			
100	5 x 7	5 x 7	6.3 x 7	6.3 x 7	8 x 7				
220	6.3 x 7	6.3 x 7	8 x 7	8 x 7					
330	8 x 7	8 x 7							

Standard Ratings

ELNA PART NO. / WV (V)	CAP. (μF)	SIZE (φ x L) (mm)	tan δ	Ripple Current (mArms)
4 V				
RC2-4V330MB	33	4 x 7	0.35	35
RC2-4V470MB	47	4 x 7	0.35	40
RC2-4V101MB	100	5 x 7	0.35	70
RC2-4V221MB	220	6.3 x 7	0.35	120
RC2-4V331M	330	8 x 7	0.35	170
6.3 V				
RC2-6V220MB	22	4 x 7	0.24	35
RC2-6V330MS	33	4 x 7	0.24	40
RC2-6V470MS	47	4 x 7	0.24	50
RC2-6V101MS	100	5 x 7	0.24	80
RC2-6V221M	220	6.3 x 7	0.24	140
RC2-6V331M	330	8 x 7	0.24	205
10 V				
RC2-10V220MS	22	4 x 7	0.20	35
RC2-10V330MS	33	4 x 7	0.20	45
RC2-10V470MS	47	5 x 7	0.20	60
RC2-10V101MB	100	6.3 x 7	0.20	105
RC2-10V221M	220	8 x 7	0.20	185
16 V				
RC2-16V100MB	10	4 x 7	0.16	25
RC2-16V220MS	22	4 x 7	0.16	40
RC2-16V330MS	33	5 x 7	0.16	55
RC2-16V470MS	47	5 x 7	0.16	70

ELNA PART NO. / WV (V)	CAP. (μF)	SIZE (φ x L) (mm)	tan δ	Ripple Current (mArms)
RC2-16V101MB	100	6.3 x 7	0.16	120
RC2-16V221M	220	8 x 7	0.16	205
25 V				
RC2-25V3R3MB	3.3	4 x 7	0.14	15
RC2-25V4R7MB	4.7	4 x 7	0.14	20
RC2-25V100MS	10	4 x 7	0.14	30
RC2-25V220MS	22	5 x 7	0.14	50
RC2-25V330MB	33	6.3 x 7	0.14	70
RC2-25V470MB	47	6.3 x 7	0.14	85
RC2-25V101M	100	8 x 7	0.14	145
35 V				
RC2-35V3R3MB	3.3	4 x 7	0.12	15
RC2-35V4R7MB	4.7	4 x 7	0.12	20
RC2-35V100MS	10	4 x 7	0.12	30
RC2-35V220MS	22	5 x 7	0.12	55
RC2-35V330MB	33	6.3 x 7	0.12	75
RC2-35V470M	47	8 x 7	0.12	110
50 V				
RC2-50VR10MB	0.1	4 x 7	0.10	4
RC2-50VR22MB	0.22	4 x 7	0.10	5
RC2-50VR33MB	0.33	4 x 7	0.10	7
RC2-50VR47MB	0.47	4 x 7	0.10	8
RC2-50V010MB	1	4 x 7	0.10	10
RC2-50V2R2MB	2.2	4 x 7	0.10	15

Note: Allowable Ripple Current 120 Hz at 85°C

RC2 Miniature Aluminum Electrolytic Capacitors

Standard Ratings

ELNA PART NO. / WV (V)	CAP. (μF)	SIZE (φ x L) (mm)	tan δ	Ripple Current (mArms)
RC2-50V3R3MB	3.3	4 x 7	0.10	20
RC2-50V4R7MS	4.7	4 x 7	0.10	24
RC2-50V100MS	10	5 x 7	0.10	40
RC2-50V220MB	22	6.3 x 7	0.10	70
RC2-50V330M	33	8 x 7	0.10	100
63 V				
RC2-63VR10MB	0.1	4 x 7	0.08	4
RC2-63VR22MB	0.22	4 x 7	0.08	6
RC2-63VR33MB	0.33	4 x 7	0.08	7
RC2-63VR47MB	0.47	4 x 7	0.08	8
RC2-63V010MB	1	4 x 7	0.08	10
RC2-63V2R2MB	2.2	4 x 7	0.08	15
RC2-63V3R3MS	3.3	4 x 7	0.08	23
RC2-63V4R7MS	4.7	5 x 7	0.08	30
RC2-63V100M	10	6.3 x 7	0.08	50
100 V				
RC2-100V010M	1	4 x 7	0.08	12
RC2-100V2R2M	2.2	5 x 7	0.08	20
RC2-100V3R3M	3.3	6.3 x 7	0.08	30
RC2-100V4R7M	4.7	6.3 x 7	0.08	35

Note: Allowable Ripple Current 120 Hz at 85°C