
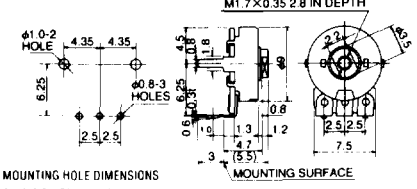

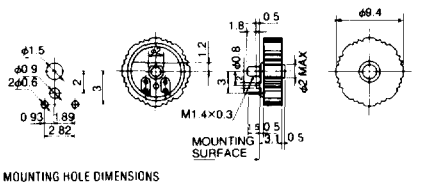

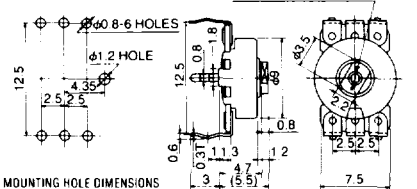

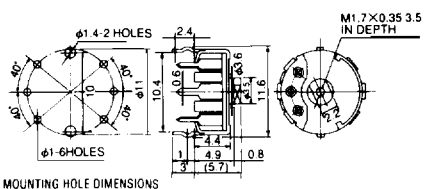

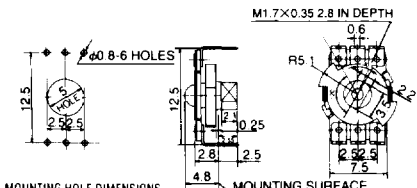

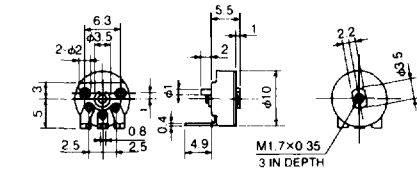
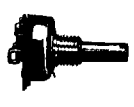
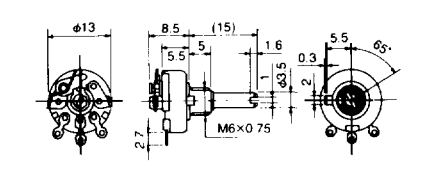

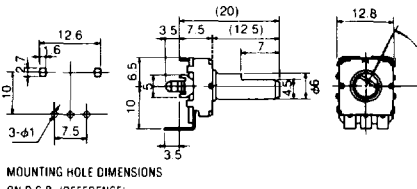

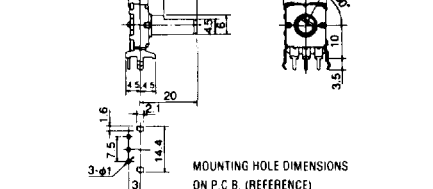


Miniature Potentiometers for Portable Devices

<p>V09L</p> 	 <p>MOUNTING HOLE DIMENSIONS ON P.C.B. (REFERENCE)</p>	<p>V72N</p> 	 <p>MOUNTING HOLE DIMENSIONS ON P.C.B. (REFERENCE)</p>
<p>V09LG</p> 	 <p>MOUNTING HOLE DIMENSIONS ON P.C.B. (REFERENCE)</p>	<p>V10L2G3</p> 	 <p>MOUNTING HOLE DIMENSIONS ON P.C.B. (REFERENCE)</p>
<p>V09L2GPVF</p> 	 <p>MOUNTING HOLE DIMENSIONS ON P.C.B. (REFERENCE)</p>		

	V09L	V09LG/V09L2G	V72N	V10L2G3
Total Rotational Angle	230±5°	120±5°	200±5°	230±5°
Rotational Torque	1-10mN·m [10-102gf·cm]	1-10mN·m [10-102gf·cm]	0.5-5mN·m [5-51gf·cm]	1-10mN·m [10-102gf·cm]
Resistance Range	1kΩ-500kΩ (taper B) 5kΩ-250kΩ (other taper)	2kΩ-500kΩ (taper B) 5kΩ-250kΩ (other taper)	500Ω-500kΩ (taper B) 1kΩ-300kΩ (other taper)	1kΩ-500kΩ (taper B) 10kΩ-200kΩ (other taper)
Rated Power	0.05W (taper B) 0.025W (other taper)	0.05W (taper B) 0.025W (other taper)	0.02W	0.05W
Maximum Rated Voltage	AC 10V, DC 10V	AC 10V, DC 10V	AC 10V, DC 10V	AC 30V, DC 30V

Potentiometers

<p>V105-4PVN</p> 	 <p>MOUNTING HOLE DIMENSIONS ON P.C.B. (REFERENCE)</p>	<p>V12M4-1S (with Switch)</p> 	
<p>V012LPV (Insulated Shaft)</p> 	 <p>MOUNTING HOLE DIMENSIONS ON P.C.B. (REFERENCE)</p>	<p>V012LPH (Insulated Shaft)</p> 	 <p>MOUNTING HOLE DIMENSIONS ON P.C.B. (REFERENCE)</p>

	V105-4PVN	V12M4-1S	V012L
Total Rotational Angle	200±10°	230±10°	300±5°
Rotational Torque	2-15mN·m [20-153gf·cm]	2-20mN·m [20-204gf·cm]	3-20mN·m [31-204gf·cm]
Resistance Range	1kΩ-500kΩ (taper B) 1kΩ-500kΩ (other taper)	1kΩ-500kΩ (taper B) 5kΩ-500kΩ (other taper)	500Ω-500kΩ (taper B) 5kΩ-500kΩ (other taper)
Rated Power	0.07W (taper B) 0.03W (other taper)	0.08W (taper B) 0.04W (other taper)	0.15W (taper B) 0.08W (other taper)
Maximum Rated Voltage	AC 100V, DC 100V (taper B) AC 70V, DC 70V (other taper)	AC 150V, DC 150V (taper B) AC 100V, DC 100V (other taper)	AC 150V, DC 10V (taper B) AC 100V, DC 10V (other taper)
Switch Rating	—	DC 12V, 0.5A	—

● Specifications in this catalog are presented basically for informative purposes. We request the exchange of official approval drawings before placing order.