

THIN TYPE CHIP LED FOR SURFACE MOUNTING

Stanley has come out with thin type chip LEDs (2 x 1.25 x 0.8 mm) that are 50% thinner than ordinary chip LEDs (3 x 1.5 x 1.5 mm). So the LEDs are useful for devices such as cellular phones that require limited thickness.

DESCRIPTION ON TYPE NO.

BR 1 1 0 1 H - TR

Chip element: BR, AA, AY, PY, PG, BG
 Shape: Chip Type
 Number of chips: 1 Chip
 Package Color: 3 Colors
 H: Thin type
 Taping: Standard
 Shape: Single color, Flat lens

CHARACTERISTICS BY COLOR


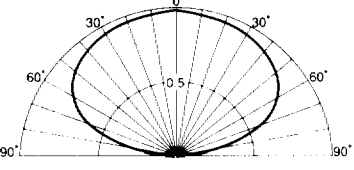
Ta=25°C

Type No.	Material Emitted Color	Absolute Maximum Ratings						Electro-Optical Characteristics							
		Power Dissipation Pd	Forward Current IF	Peak Forward Current IFM	Reverse Voltage VR	Operating Temperature Topr	Storage Temperature Tstg	Forward Voltage VF			Reverse Current IR		Wavelength		
								TYP.	MAX.	IF	MAX.	VR	Peak λp TYP.	Spectral Line Half Width Δλ TYP.	IF
BR	GaAlAs (Red)	50	25	60	4	-30~+85	-30~+90	1.7	2.3	20	100	4	660	30	20
AA	GaAsP / GaP (Orange)	62.5	25	60	4	-30~+85	-30~+90	2.2	2.8	20	100	4	605	30	20
AY	GaAsP / GaP (Yellow)	62.5	25	60	4	-30~+85	-30~+90	2.2	2.8	20	100	4	580	30	20
PY	GaP (Yellow)	62.5	25	60	4	-30~+85	-30~+90	2.1	2.8	20	100	4	570	30	20
PG	GaP (Green)	62.5	25	60	4	-30~+85	-30~+90	2.1	2.8	20	100	4	560	30	20
BG	GaP (Pure Green)	62.5	25	60	4	-30~+85	-30~+90	2.1	2.8	20	100	4	555	30	20
Units		mW	mA	mA	V	°C	°C	V		mA	μA	V	nm	mA	

- The current derating for operation above 25 °C is 0.36mA/°C for DC drive and 0.86mA/°C for Pulse drive.
- IFM applies for the condition: tw ≤ 1 msec. and duty cycle ≤ 1/20.

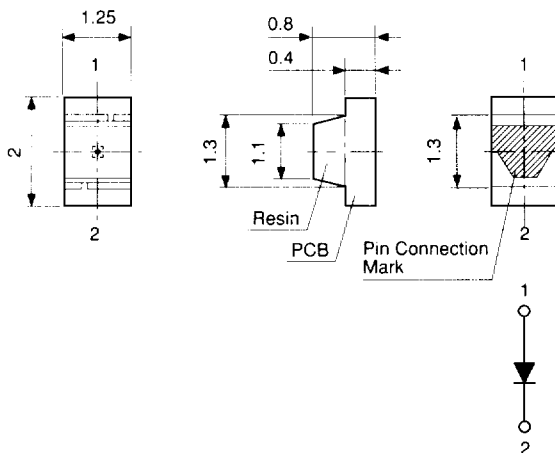
CHARACTERISTICS BY SHAPE

Ta=25°C

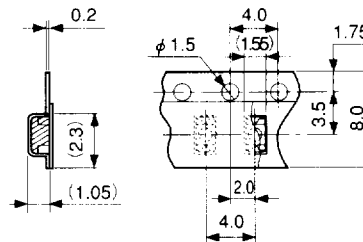
Lens Type	Shape	Type No.	Emitted Color	Lens	Peak Wave Length (nm)	Luminous Intensity (mcd)			Spatial Distribution (The typical distribution example of each shape is shown below.)	fig.
						MIN.	TYP.	IF(mA)		
Flat lens type		BR1101H	Red	Water Clear	660	3.2	9.0	20		1
		AA1101H	Orange		605	2.0	5.6	20		
		AY1101H	Yellow		580	2.0	5.6	20		
		PY1101H			570	3.0	8.4	20		
		PG1101H	Green		560	2.4	6.8	20		
		BG1101H	Pure Green		555	1.0	2.8	20		

PACKAGE DIMENSIONS Unit : mm

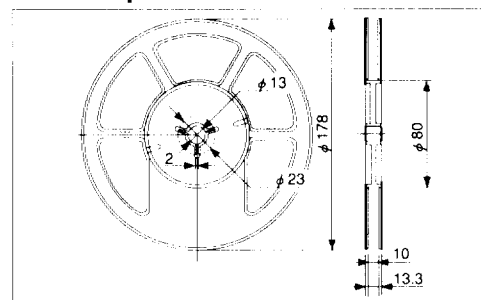
fig. 1




Taping specification Unit : mm



Reel specification Unit : mm



Quantity (Pcs./Reel)
 4,000

2