

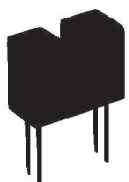
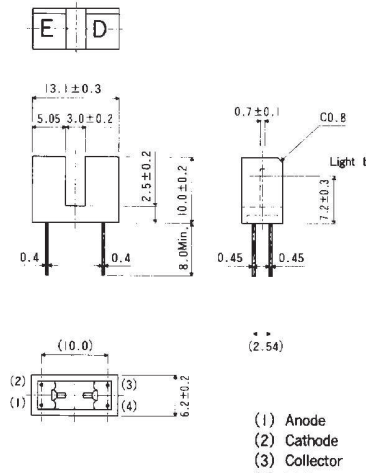
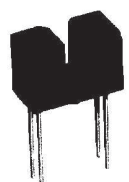
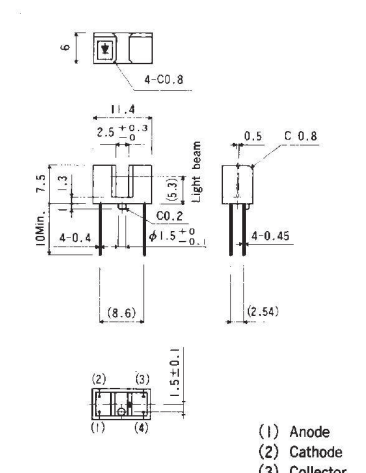

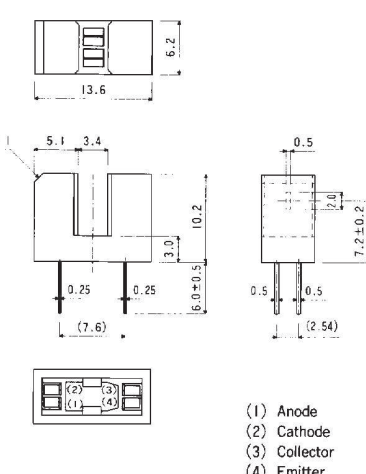

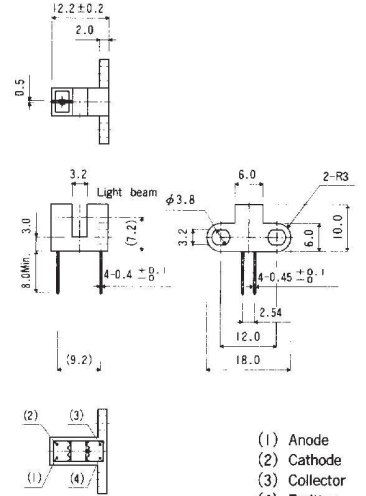
Photointerrupters (RPI · SIU)

● Phototransistors Output (Type with case)

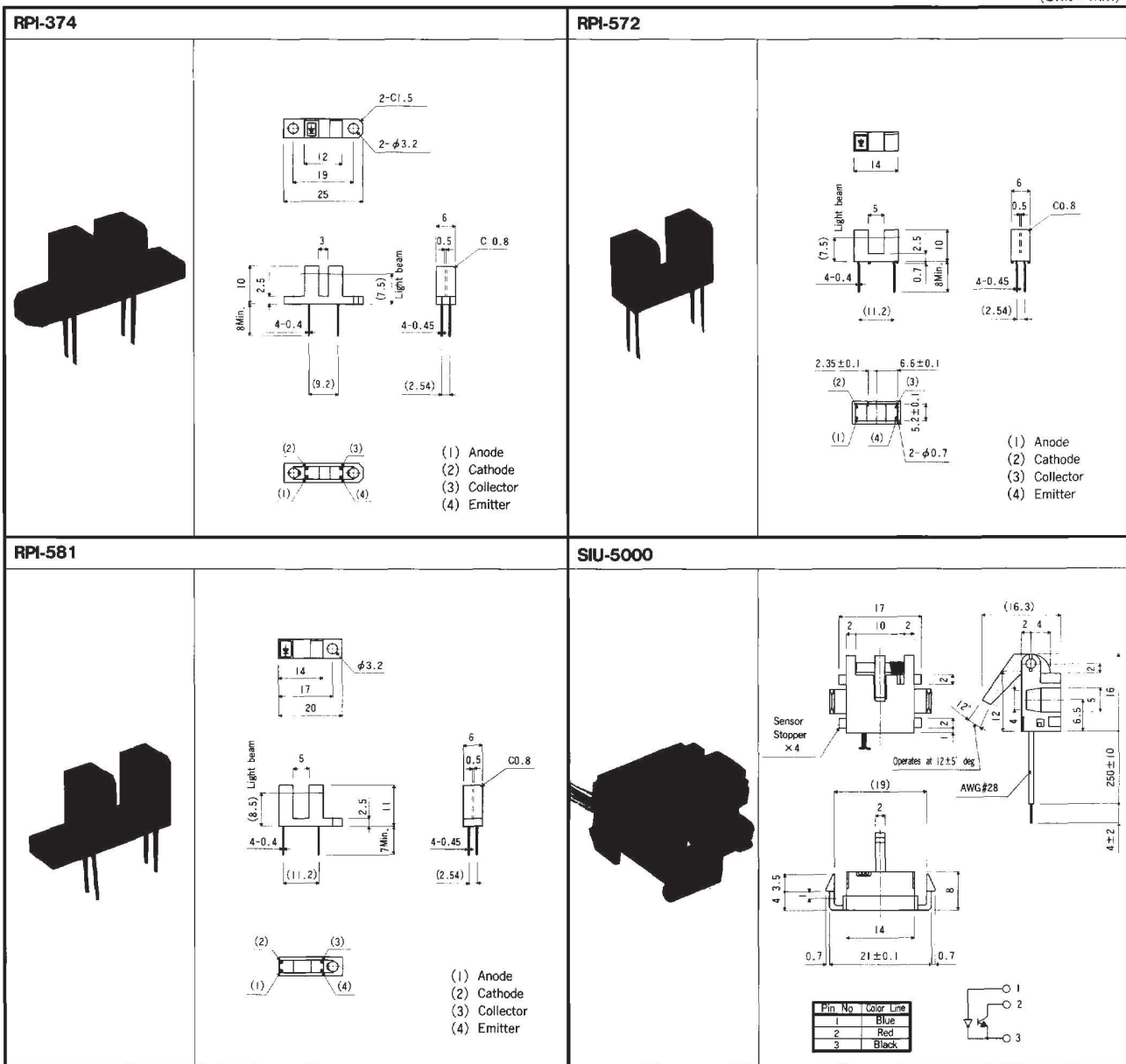
Package	Part No.	Feature	Absolute maximum ratings		Standard Characteristics							Basic ordering unit	Rank
			I _F (mA)	V _{CEO} (V)	Groove width (mm)	Slit width (mm)	I _C (mA)	V _{CE} (V)	I _F (mA)	I _{CEO} Max. (μA)	tr, tf (μs)		
PCB direct mount type	RPI-38	General purpose	50	30	3	0.7	7	5	20	0.5	10	200	⊙
	RPI-261	With positioning set	50	30	2.5	0.5	1Min.	5	20	0.5	10	200	⊙
	RPI-371	With rear lid	50	30	3.4	0.5	1Min.	10	20	0.5	10	200	○
	RPI-373R	With tapped hole in side	50	30	3.2	0.5	4	5	20	0.5	10	200	⊙
	RPI-374	With tapped hole	50	30	3	0.5	1Min.	5	20	0.5	10	200	⊙
	RPI-572	With positioning set	50	30	5	0.5	0.8Min.	5	20	0.5	10	200	⊙
	RPI-581	With tapped hole	50	30	5	0.5	0.8Min.	5	20	0.5	10	200	⊙
With actuator	SIU-5000	With actuator and leads	50	30	With Actuator		0.5Min.	5	20	0.5	10	200	⊙

⊙ : Standard products ○ : Semi-standard products

(Unit : mm)

<p>RPI-38</p> 	 <p>(1) Anode (2) Cathode (3) Collector (4) Emitter</p>	<p>RPI-261</p> 	 <p>(1) Anode (2) Cathode (3) Collector (4) Emitter</p>
<p>RPI-371</p> 	 <p>(1) Anode (2) Cathode (3) Collector (4) Emitter</p>	<p>RPI-373R</p> 	 <p>(1) Anode (2) Cathode (3) Collector (4) Emitter</p>

(Unit : mm)



Photointerrupters

Sensors