

MS-500シリーズ / SERIES

| 品番 PARTS No. | MS-500□ -B | MS-500□ -BC | MS-500□ -F | MS-500□ -MF | MS-500□ -B2 | MS-500□ -B-PC | MS-500□ -B-RI | MS-500□ -B-VT |
|-----------------|---------------------|-----------------------------------|---------------------|-----------------------------------|---------------------|---------------------|----------------------|---------------------|
| 回路 CIRCUITS | | | | | | | | |
| SPST (2P) | ON-OFF K | ON-OFF K | ON-OFF K | ON-OFF K | ON-OFF K | - | - | - |
| SPDT (3P) | ON-ON A | ON-ON A | ON-ON A | ON-ON A | ON-ON A | ON-ON A | ON-ON A | ON-ON A |
| | ON(O) B | ON(O) B | ON(O) B | ON(O) B | - | ON(O) B | ON(O) B | ON(O) B |
| | ON-OFF-ON C | ON-OFF-ON C | ON-OFF-ON C | ON-OFF-ON C | ON-OFF-ON C | ON-OFF-ON C | ON-OFF-ON C | ON-OFF-ON C |
| | ON-OFF-(O) D | ON-OFF-(O) D | ON-OFF-(O) D | ON-OFF-(O) D | - | ON-OFF-(O) D | ON-OFF-(O) D | ON-OFF-(O) D |
| | (O) -OFF(O) E | (O) -OFF(O) E | (O) -OFF(O) E | (O) -OFF(O) E | - | (O) -OFF(O) E | (O) -OFF(O) E | (O) -OFF(O) E |
| DPDT (6P) | ON-ON F | ON-ON F | ON-ON F | ON-ON F | ON-ON F | ON-ON F | ON-ON F | ON-ON F |
| | ON(O) G | ON(O) G | ON(O) G | ON(O) G | - | ON(O) G | ON(O) G | ON(O) G |
| | ON-OFF-ON H | ON-OFF-ON H | ON-OFF-ON H | ON-OFF-ON H | ON-OFF-ON H | ON-OFF-ON H | ON-OFF-ON H | ON-OFF-ON H |
| | ON-OFF-(O) I | ON-OFF-(O) I | ON-OFF-(O) I | ON-OFF-(O) I | - | ON-OFF-(O) I | ON-OFF-(O) I | ON-OFF-(O) I |
| | (O) -OFF(O) J | (O) -OFF(O) J | (O) -OFF(O) J | (O) -OFF(O) J | - | (O) -OFF(O) J | (O) -OFF(O) J | (O) -OFF(O) J |
| レバーカラー | シルバー | R赤), (黒), W白) Y黄), (青) | シルバー | R赤), (黒), W白) Y黄), (青) | シルバー | シルバー | シルバー | シルバー |
| 端子形状 | 半田端子 | 半田端子 | 半田端子 | 半田端子 | 半田端子 | PC端子 | ライトアングル | バーチカル |
| COLOR | Chrome Plated Brass | Red, Black, White Yellow, Blue | Chrome Plated Brass | Red, Black, White Yellow, Blue | Chrome Plated Brass | Chrome Plated Brass | Chrome Plated Brass | Chrome Plated Brass |
| TERMINALS | Solder Terminal | Solder Terminal | Solder Terminal | Solder Terminal | Solder Terminal | P.C. Terminal | Right Angle Mounting | Vertical Mounting |

MS-500シリーズ / SERIES

受注生産 / Only for large quantity order

| 品番 PARTS No. | MS-500□ -LL-S | MS-500□ -LL-P | MS-500□ -B-PCB | MS-500□ -B-PS | MS-500□ -CL | MS-500□ -L | MS-500□ -ML | MS-500□ -PL |
|-----------------|---------------------|---------------------|---------------------|---------------------|-----------------------------------|---------------------|---------------------------|-----------------------------------|
| 回路 CIRCUITS | | | | | | | | |
| SPST (2P) | ON-OFF K | ON-OFF K | - | - | ON-OFF K | ON-OFF K | ON-OFF K | ON-OFF K |
| SPDT (3P) | ON-ON A | ON-ON A | ON-ON A | ON-ON A | ON-ON A | ON-ON A | ON-ON A | ON-ON A |
| | - | - | ON(O) B | ON(O) B | ON(O) B | ON(O) B | ON(O) B | ON(O) B |
| | ON-OFF-ON C | ON-OFF-ON C | ON-OFF-ON C | ON-OFF-ON C | ON-OFF-ON C | ON-OFF-ON C | ON-OFF-ON C | ON-OFF-ON C |
| | - | - | ON-OFF-(O) D | ON-OFF-(O) D | ON-OFF-(O) D | ON-OFF-(O) D | ON-OFF-(O) D | ON-OFF-(O) D |
| | - | - | (O) -OFF(O) E | (O) -OFF(O) E | (O) -OFF(O) E | (O) -OFF(O) E | (O) -OFF(O) E | (O) -OFF(O) E |
| DPDT (6P) | ON-ON F | ON-ON F | ON-ON F | ON-ON F | ON-ON F | ON-ON F | ON-ON F | ON-ON F |
| | - | - | ON(O) G | ON(O) G | ON(O) G | ON(O) G | ON(O) G | ON(O) G |
| | ON-OFF-ON H | ON-OFF-ON H | ON-OFF-ON H | ON-OFF-ON H | ON-OFF-ON H | ON-OFF-ON H | ON-OFF-ON H | ON-OFF-ON H |
| | - | - | ON-OFF-(O) I | ON-OFF-(O) I | ON-OFF-(O) I | ON-OFF-(O) I | ON-OFF-(O) I | ON-OFF-(O) I |
| | - | - | (O) -OFF(O) J | (O) -OFF(O) J | (O) -OFF(O) J | (O) -OFF(O) J | (O) -OFF(O) J | (O) -OFF(O) J |
| レバーカラー | シルバー | シルバー | シルバー | シルバー | R赤), (黒), W白) Y黄), (青) | シルバー | R赤), (黒), W白) Y黄), (青) | R赤), (黒), W白) Y黄), (青) |
| 端子形状 | 半田端子 | PC端子 | PC端子 | 半田端子 | 半田端子 | 半田端子 | 半田端子 | 半田端子 |
| COLOR | Chrome Plated Brass | Chrome Plated Brass | Chrome Plated Brass | Chrome Plated Brass | Red, Black, White Yellow, Blue | Chrome Plated Brass | Red, Black, Cream | Red, Black, White Yellow, Blue |
| TERMINALS | Solder Terminal | P.C. Terminal | P.C. Terminal | Solder Terminal | Solder Terminal | Solder Terminal | Solder Terminal | Solder Terminal |

MS-500シリーズ / SERIES

ご注文の際は下記の例に準じてご用命下さい。

ORDERING INFORMATION

MS-500 A - MF - R
 1 2 3

| 1 | 回路 CIRCUIT | スイッチ特性 SWITCHING FUNCTION | レバー振れ角度 Lever Travel Angle |
|---|---------------|------------------------------|-------------------------------|
| K | SPST (2P) | ON-OFF | 24° ± 4° |
| A | SPDT (3P) | ON-ON | |
| B | SPDT (3P) | ON-(ON) | 20° ± 4° |
| C | SPDT (3P) | ON-OFF-ON | |
| D | SPDT (3P) | ON-OFF-(ON) | 12° ± 2° |
| E | SPDT (3P) | (ON) -OFF-(ON) | |
| F | DPDT (6P) | ON-ON | 24° ± 4° |
| G | DPDT (6P) | ON-(ON) | 20° ± 4° |
| H | DPDT (6P) | ON-OFF-ON | 12° ± 2° |
| I | DPDT (6P) | ON-OFF-(ON) | |
| J | DPDT (6P) | (ON) -OFF-(ON) | |
| | | | |

注記 / NOTE
 (ON) = ノンロック / Momentary

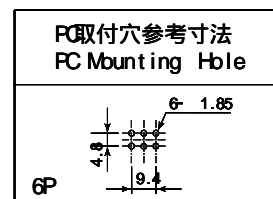
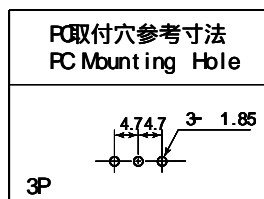
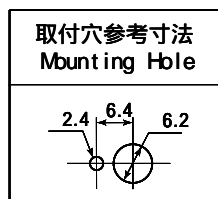
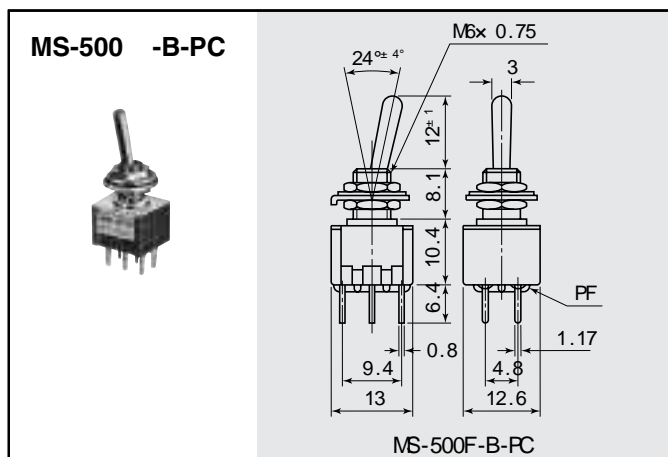
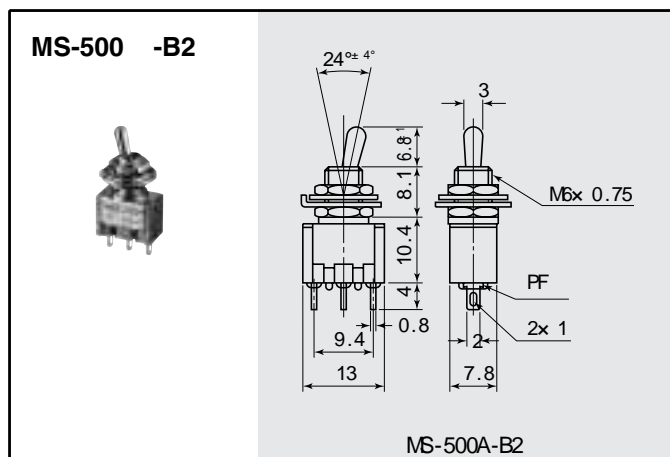
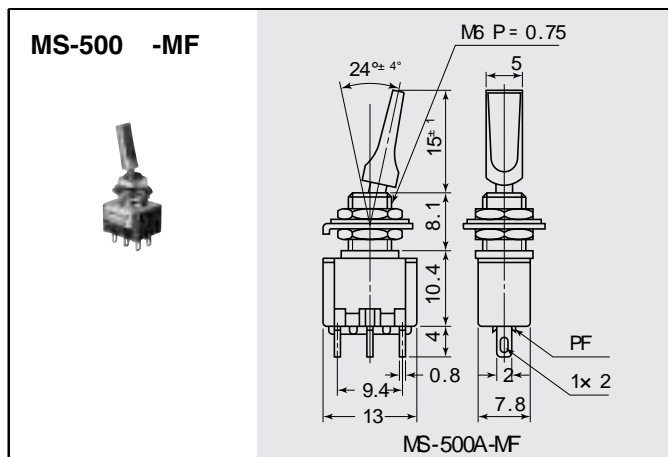
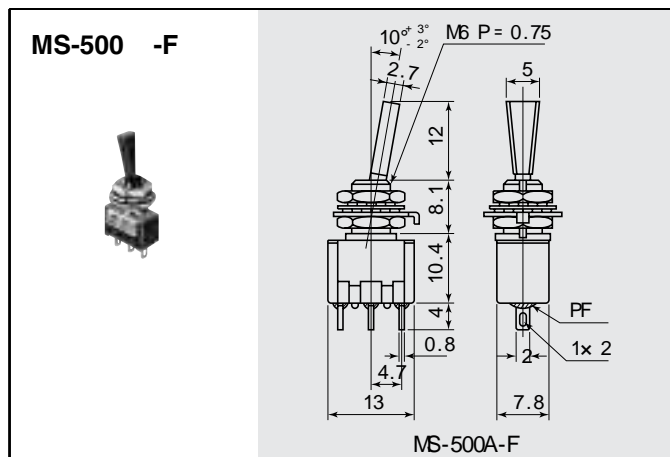
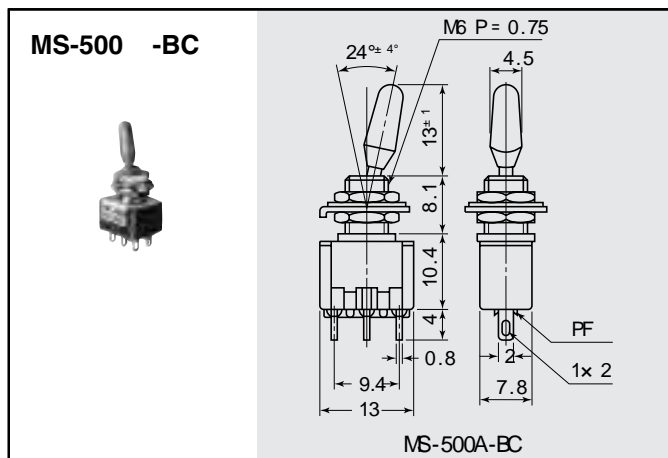
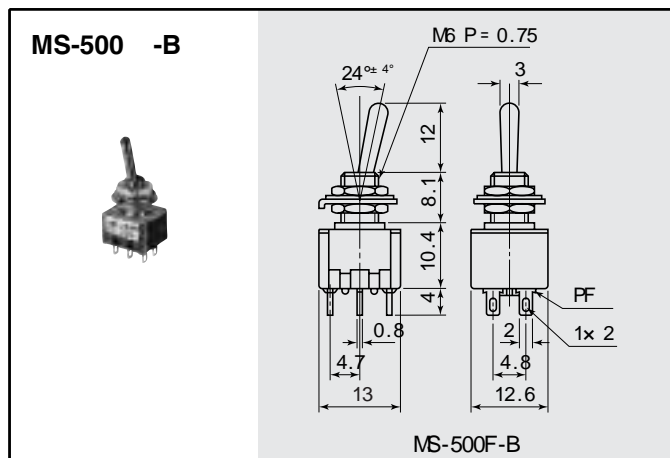
| 2 | 操作形状 | Shape of Operation Part |
|----|--------------------|-------------------------------|
| B | バット状レバー | Bat type Lever |
| BC | バット状レバー (塩ビキャップ付) | Bat type Lever with Color Cap |
| F | 金属フラットレバー | Metal Flat Lever |
| MF | モールドフラットレバー | Mould Flat Color Lever |
| PL | プラスチックキャップレバー | Plastic Cap Color Lever |
| CL | カラーチップ付レバー | Lever with Color Tip Top |
| L | 金属ロングレバー | Metal Long Lever |
| LL | ロックレバー | Metal Lock Lever |
| ML | モールドロングレバー | Mould Long Color Lever |
| B2 | バット状ショートレバー | Bat Type Short Lever |

| 3 | 操作部色 又は端子形状 | Top Color or Shape of Terminal |
|------|-----------------|--------------------------------|
| R | 赤 | Red |
| K | 黒 | Black |
| W | 白 | White |
| Y | 黄 | Yellow |
| U | 青 | Blue |
| S | 半田端子 | Solder Terminal |
| P/PC | PC端子 | PC Terminal |
| PCB | PC端子ブラケットマウント付き | PC Terminal With Bracket mount |
| RI | ライトアングル | Right Angle Mounting Terminal |
| VT | バーチカル | Vertical Mounting Terminal |
| PS | 半田端子防滴スイッチ | Splash Proof Type |

| 電流容量 RATING | 絶縁抵抗 INSULATION RESISTANCE | 絶縁耐圧 VOLTAGE BREAKDOWN | 接触抵抗 CONTACT RESISTANCE |
|----------------|-------------------------------|--|----------------------------|
| 6A. 125V.AC | DC. 500V 100M 以上 (MIN) | 端子間 Between the terminals AC. 1000V/分間 (Minute) 充電部と非充電部 Between the terminals and actuator AC. 1500V/分間 (Minute) | 20m 以下 (MAX) |

MS-500シリーズ / SERIES

外形図 / Dimensions

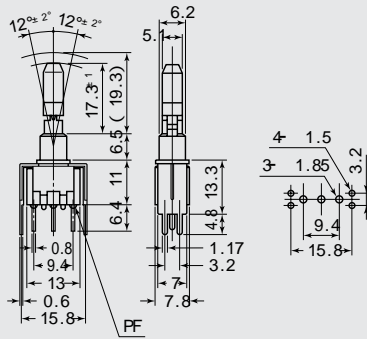


MS-500シリーズ / SERIES

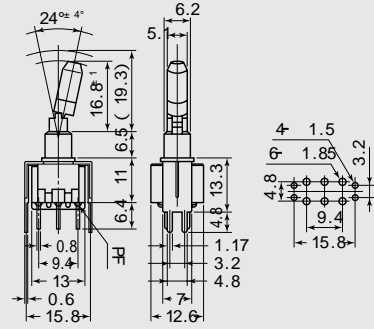
受注生産 / Only for large quantity order

外形図 / Dimensions

MS-500 -LL-P

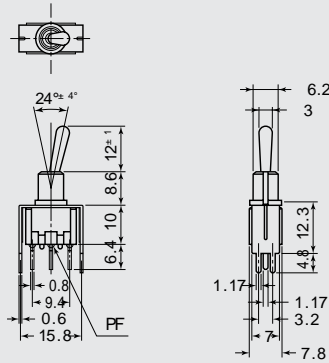


MS-500C-LL-P



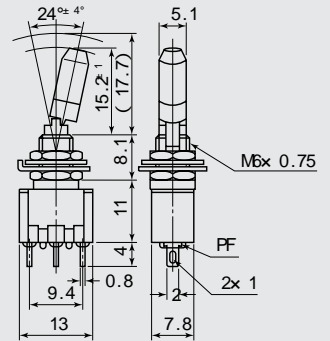
MS-500F-LL-P

MS-500 -B-PCB



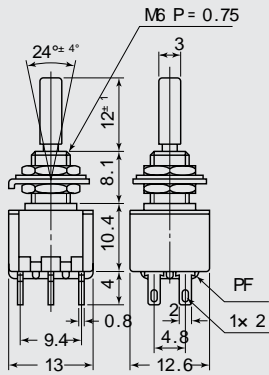
MS-500A-B-PCB

MS-500 -LL-S



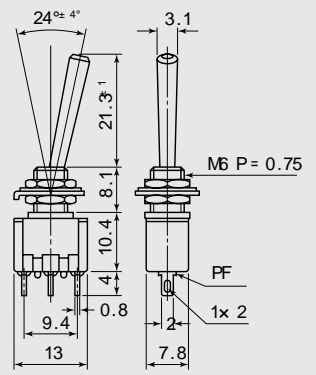
MS-500A-LL-S

MS-500 -CL



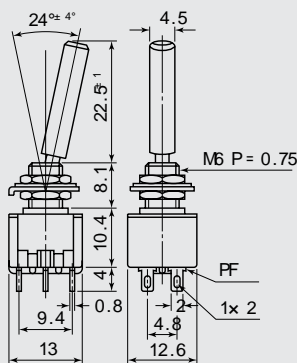
MS-500F-CL

MS-500 -L



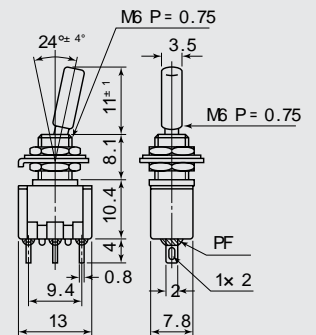
MS-500A-L

MS-500 -ML



MS-500F-ML

MS-500 -PL




MS-500A-PL

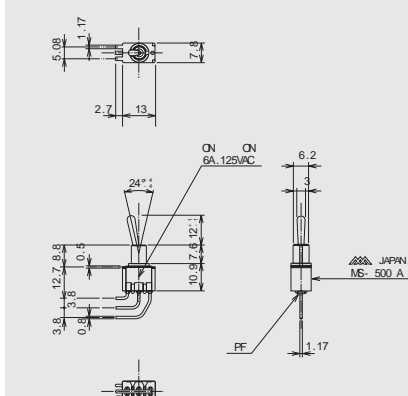
MS-500シリーズ / SERIES

バーチカル / Vertical Mounting

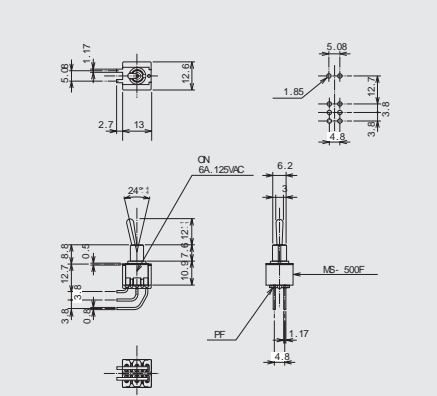
外形図 / Dimensions

MS-500 -B-VT



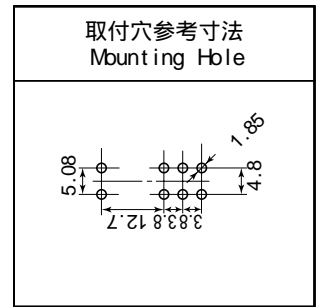
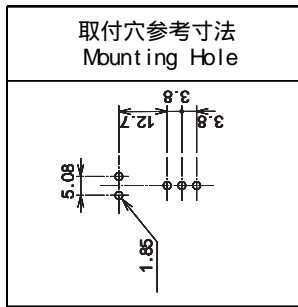


(3P) MS-500A-B-VT



(6P) MS-500F-B-VT


| 回路 CIRCUIT | レバー振れ角度 Lever Travel Angle |
|---------------|-------------------------------|
| A | 24° ± 4° |
| B | 20° ± 4° |
| C・D・E | 12° ± 2° |
| F | 24° ± 4° |
| G | 20° ± 4° |
| H・I・J | 12° ± 2° |

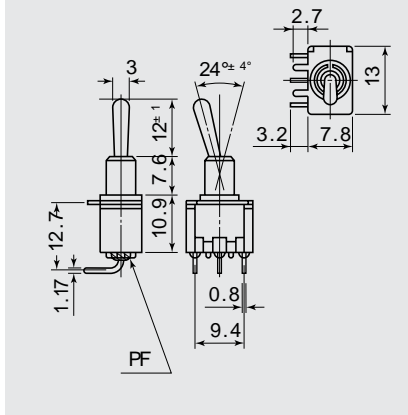


ライトアングル / Right Angle Mounting

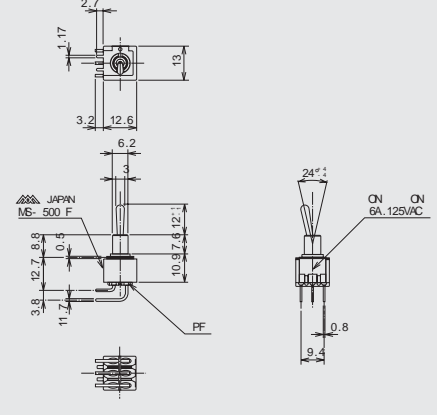
外形図 / Dimensions

MS-500 -B-RI



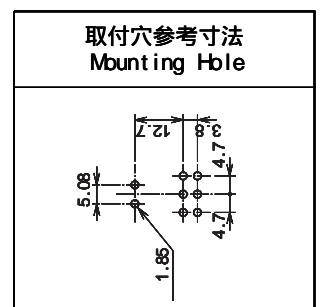
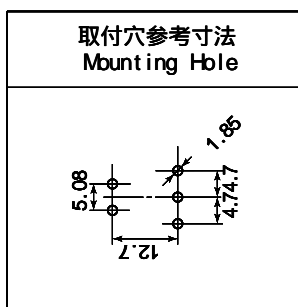


MS-500A-B-RI



MS-500F-B-RI

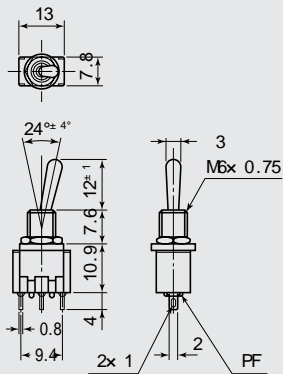
| 回路 CIRCUIT | レバー振れ角度 Lever Travel Angle |
|---------------|-------------------------------|
| A | 24° ± 4° |
| B | 20° ± 4° |
| C・D・E | 12° ± 2° |
| F | 24° ± 4° |
| G | 20° ± 4° |
| H・I・J | 12° ± 2° |



MS-500シリーズ / SERIES

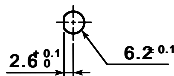
防滴タイプ / Splash Proof Type

MS-500 -B-PS

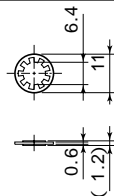


MS-500A-B-PS

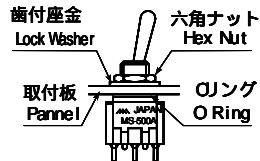
取付穴参考寸法
Mounting Hole



取付板厚
Panel Thickness



取付例
Mounting Example



注 記：本製品はパネルシールを目的としたスイッチであり、水中で使用するものではありません。
スイッチに水がかかった場合は、必ず水分を拭き取ってからご使用下さい。

NOTE : This switch is designed for sealing the panel and prevent a water leakage into the equipment, however not designed for the use in the water.
If the switch is covered with water, please be sure to wipe off the water before using.