

CONDENSER MICROPHONE CARTRIDGES

WM SERIES

- LARGEST GLOBAL MANUFACTURER OF MICROPHONE CARTRIDGES
- SUITABLE FOR TELEPHONES, TAPE RECORDERS, TOYS, MODEMS, INTERCOMS, HEARING AIDS, AND MANY OTHER APPLICATIONS
- ELECTRET AND BACK ELECTRET CARTRIDGES AVAILABLE WITH OMNIDIRECTIONAL, CARDIOID AND NOISE CANCELLING DIRECTIVITY
- AVAILABLE WITH RUBBER MOUNTING HOLDERS

WM SERIES CONDENSER MICROPHONE CARTRIDGES

• **New Product**

Part Number	Sensitivity dB	Tol. ±dB	Lower Freq Hz	Upper Freq kHz	S/N dB min	O/P Cap pF	Op. Voltage V typ	Current mA max	SQP £ each
Omnidirectional Electret									
• WM-034CX	-46	3*	20	16	60	-	4.5	0.8	POA
• WM-034CY	-42	3*	20	16	60	-	4.5	0.8	POA
• WM-034CZ	-38	3*	20	16	60	-	4.5	0.8	POA
• WM-034DM	-44	2	20	16	60	-	1.5	0.3	POA
• WM-034DH	-42	2	20	16	60	-	1.5	0.3	POA
• WM-034DP	-40	2	20	16	60	-	1.5	0.3	POA
• WM-034DR	-38	2	20	16	60	-	1.5	0.3	POA
• WM-034DU	-36	2	20	16	60	-	1.5	0.3	POA
• WM-034FM	-44	2	100	5	60	-	1.5	0.3	POA
• WM-034FH	-42	2	100	5	60	-	1.5	0.3	POA
• WM-034FP	-40	2	100	5	60	-	1.5	0.3	POA
• WM-034FR	-38	2	100	5	60	-	1.5	0.3	POA
• WM-034FU	-36	2	100	5	60	-	1.5	0.3	POA
Omnidirectional Back Electret									
• WM-60AX	-46	3*	20	20	58	-	2.0	0.5	POA
• WM-60AT	-44	3*	20	20	58	-	2.0	0.5	POA
• WM-60AY	-42	3*	20	20	58	-	2.0	0.5	POA
• WM-61A	-35	4*	20	20	62	-	2.0	0.5	POA
• WM-62A	-45	4	20	16	58	-	2.0	0.5	POA
• WM-62AX	-46	3	20	16	58	-	2.0	0.5	POA
• WM-62AT	-44	3	20	16	58	-	2.0	0.5	POA
• WM-62AU	-40	3	20	16	58	-	2.0	0.5	POA
• WM-62C	-45	4	20	16	58	-	2.0	0.5	POA
• WM-62CX	-46	3	20	16	58	-	2.0	0.5	POA
• WM-62CT	-44	3	20	16	58	-	2.0	0.5	POA
• WM-64A	-45	4	20	16	58	-	2.0	0.5	POA
• WM-64AX	-46	3	20	16	58	-	2.0	0.5	POA
• WM-64AT	-44	3	20	16	58	-	2.0	0.5	POA
• WM-64C	-45	4	20	16	58	33	2.0	0.5	POA
• WM-64CX	-46	3	20	16	58	33	2.0	0.5	POA
• WM-64CT	-44	3	20	16	58	33	2.0	0.5	POA
• WM-64K	-45	4	20	16	58	10	2.0	0.5	POA
• WM-64KX	-46	3	20	16	58	10	2.0	0.5	POA
• WM-64KT	-44	3	20	16	58	10	2.0	0.5	POA
Cardioid Electret									
• WM-56A103	-50	4	100	16	58	-	1.5	0.5	POA
Cardioid Back Electret									
• WM-47A101	-48.5	4.5	100	12	55	-	2.0	0.5	POA
• WM-55A103	-47	4	100	16	60	-	1.5	0.5	POA
• WM-65A103	-50	4	100	12	55	-	2.0	0.5	POA
Noise Cancelling Back Electret									
• WM-55D103	-54†	4	100	10	58	-	1.5	0.5	POA
• WM-66D103	-51†	4.5	100	10	50	-	2.0	0.5	POA
• WM-67D103	-51†	4.5	100	10	50	-	2.0	0.5	POA

*: ±2dB versions available on request, WM61A: ±3dB, please contact Flint for details

†: L = 50cm

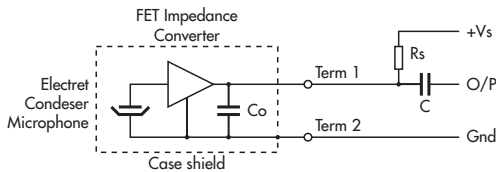
CONDENSER MICROPHONE CARTRIDGES

RUBBER MOUNTING HOLDERS FOR WM SERIES

• **New Product**

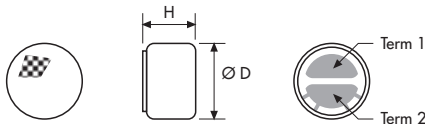
Part Number	To Suit Cartridge	SQP £ each
• M3CA0082	WM-034	POA
• M3CA0207	WM-55A, WM-55D	POA
• M3CA0208	WM-55A, WM-55D	POA
• YPM-CH008	WM-034	POA
• YPM-CH009	WM-034	POA
• YPM-CH021	WM-60A, WM-65A	POA
• YPM-CH022	WM-034	POA

WM SERIES INTERNAL CIRCUIT



Rs = 2K2 except:
 WM-034D, WM-034F: 1K5
 WM55A103, WM55D103, WM56A103: 680R
 Co applies to WM-64C & WM-64K
 WM-64C: 33pF
 WM-64K: 10pF

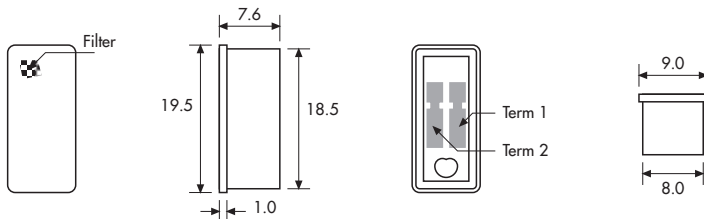
WM SERIES DIMENSIONS



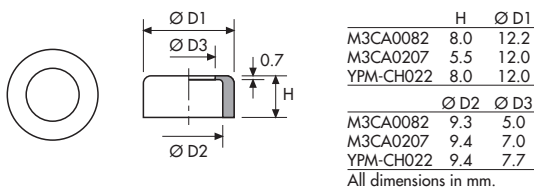
	H	Ø D		H	Ø D
WM-034	6.7	9.7	WM-62	2.7	6.0
WM-55	5.0	9.7	WM-64	2.2	6.0
WM-56	5.0	9.7	WM-65	5.0	6.0
WM-60	5.0	6.0	WM-66	2.7	6.0
WM-61	3.4	6.0	WM-67	2.2	6.0

All dimensions in mm.

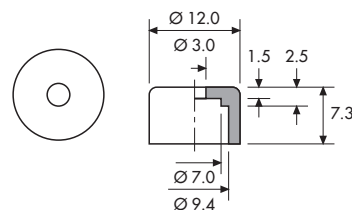
WM47A101 DIMENSIONS



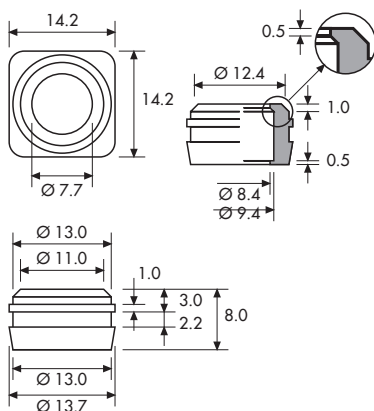
M3CA0082, M3CA0207, YPM-CH022 DIMENSIONS



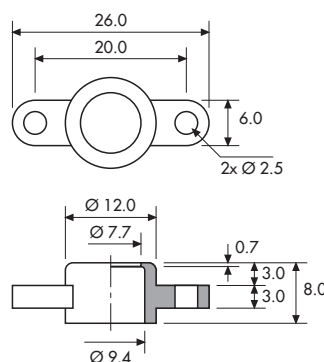
M3CA0208 DIMENSIONS



YPM-CH008 DIMENSIONS



YPM-CH009 DIMENSIONS



YPM-CH021 DIMENSIONS

